

INTRODUCTION

Table of Contents

Comp-Page No.
 1

General Information

3

COMPRESSORS

Belt Drive

Midland



7
 7

Caterpillar Engine

Midland

Clayton Dewandre



13
 13
 14

Mack Engine

Midland



17
 17

Cummins Engine

Midland

Holset-Cummins



18
 18
 19

Detroit Diesel Engine

Midland



21
 21

CYLINDER HEADS

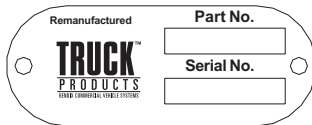
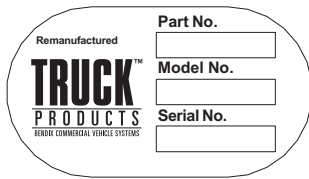
Cylinder Heads	Comp-Page No. 25
-----------------------------	---------------------

REPAIR & GASKET KITS

Compressor Kit Cross Reference	26
Repair & Gasket Kits	28
Unloader Kits	
Midland Unloader Kits	30
Cummins Unloader Kits	31
Cylinder Head Repair Kits	
Midland	31
Cummins	32
Gasket Kits (Mounting & Complete)	
Midland	33
Cummins	43
Clayton Dewandre	44
Piston Kits	
Midland	44
Cummins	45
Piston Ring Kits	
Midland	46
Cummins	47
Rod Bearing Sets	
Midland	47
Drive Gear	
Cummins	48

GOVERNORS

Governors		49
Midland		49



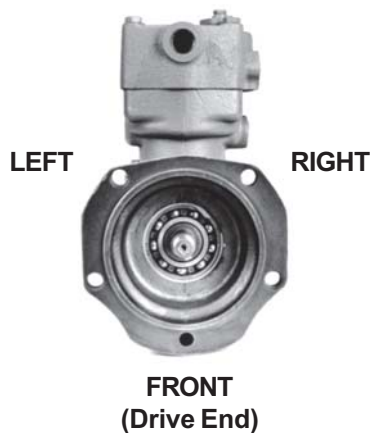
Compressor Nameplate

A nameplate is attached to each compressor, generally to the crankcase. There are two styles in use, both having a silver background with black lettering. In all cases the nameplate displays the part number and serial number. The larger of the two also provides model information.

The part number stamped into the nameplate is the manufacturer's part number with the letter "X" added to the end to designate that the unit is remanufactured. The alpha numeric serial number indicates the date and place of manufacture. The first letter indicates the month, A (January) through M (December) with the letter "I" not used. The first pair of digits indicate the day and the second pair the year. The last character represents the remanufacturing facility. For example, a nameplate bearing serial number "D1801X" was built April 18, 2001.

Compressor Installation - Gaskets and Plugs

All Truck Products remanufactured compressors are supplied with the appropriate gaskets and plugs to install the compressor and attach fittings, filters and governor, where required. An Installation Instruction Sheet is included with each compressor.



Compressor Port Positions

All compressor port positions in this catalog are obtained in the same manner as the original manufacturer; by viewing the compressor from the drive end.

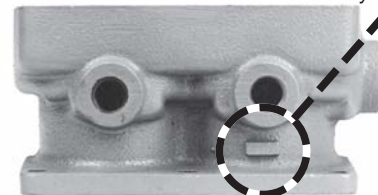
Midland Compressors

Identifying The Difference Between An EL1300 and EL1600

The EL1600 is almost identical in appearance and dimensions to the EL1300. Other than the part number shown on the compressor name tag, the most easily identified difference between the two compressors is a rectangular protrusion on the cylinder block as shown in the illustration below.



EL1300 Cylinder Block



EL1600 Cylinder Block

This rectangular block is not present on the EL1300 cylinder block.

Remanufactured Midland Compressors

EL740

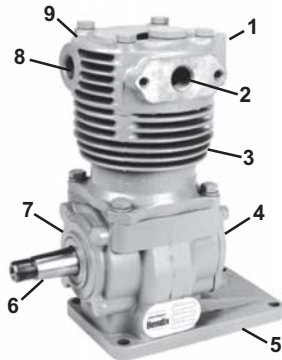
The EL740 is a two cylinder compressor with a displacement of 7.4 cu. ft. per min. at 1250 RPM. It is available in both vertical mount, belt drive, or flange mount gear drive configurations. The EL740 is available as totally water cooled, totally air cooled, or in a combination of water cooled head and air cooled block.



- | | | |
|-------------------|-------------------|--------------------|
| 1. Unloader Valve | 4. Rear End Cover | 7. Front End Cover |
| 2. Inlet Port | 5. Crankcase | 8. Cylinder Block |
| 3. Discharge Port | 6. Crankshaft | 9. Cylinder Head |

EL850

The EL850 is a single cylinder compressor with a displacement of 8.5 cu. ft. per min. at 1250 RPM. Like the EL740, it is available in both vertical mount, belt drive, or flange mount gear drive configurations. The EL850 is available as either totally air cooled or in a combination of water cooled head and air cooled block.



- | | | |
|-------------------|-------------------|--------------------|
| 1. Governor Port | 4. Rear End Cover | 7. Front End Cover |
| 2. Inlet Port | 5. Crankcase | 8. Discharge Port |
| 3. Cylinder Block | 6. Crankshaft | 9. Cylinder Head |

EL1300

The EL1300 is a two cylinder compressor with a displacement of 12.9 cu. ft. per min. at 1250 RPM. It is available in both vertical mount, belt drive, or flange mount gear drive configurations. The EL1300 is available in totally water cooled versions only.



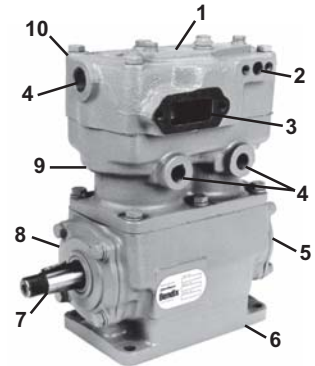
- | | | |
|-------------------|--------------------|-------------------|
| 1. Discharge Port | 5. Rear End Cover | 9. Cylinder Block |
| 2. Governor Port | 6. Crankcase | 10. Cylinder Head |
| 3. Inlet Port | 7. Crankshaft | |
| 4. Water Ports | 8. Front End Cover | |

Remanufactured Midland Compressors (cont'd)

EL1600

The EL1600 is a two cylinder compressor with a displacement of 16.1 cu. ft. per min. at 1250 RPM. It is a companion compressor to the EL1300 and is offered in most all the same configurations as the EL1300.

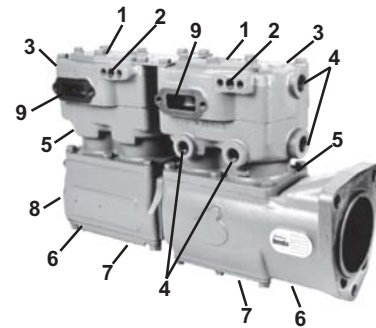
- | | | |
|-------------------|--------------------|-------------------|
| 1. Discharge Port | 5. Rear End Cover | 9. Cylinder Block |
| 2. Governor Port | 6. Crankcase | 10. Cylinder Head |
| 3. Inlet Port | 7. Crankshaft | |
| 4. Water Ports | 8. Front End Cover | |



EL3200

The EL3200 is a four cylinder, water cooled only, compressor with a displacement of 32.2 cu. ft. per min. at 1250 RPM. It is available in direct drive single flange mount for Mack in-line 6 cylinder engine applications only.

- | | | |
|-------------------|-------------------|-------------------|
| 1. Discharge Port | 4. Water Ports | 7. Base Plate |
| 2. Governor Port | 5. Cylinder Block | 8. Rear End Cover |
| 3. Cylinder Head | 6. Crank Case | 9. Inlet Port |



Remanufactured Holset – Cummins Compressors

Single Cylinder

The single cylinder Holset compressor has a displacement of 13.2 cu. ft. per min. at 1250 RPM. It is water cooled only and available from Truck Products in the Cummins flange drive only.

- | | | |
|-------------------|------------------|----------------|
| 1. Governor | 4. Cylinder Head | 7. Water Ports |
| 2. Intake Port | 5. Crank Case | |
| 3. Discharge Port | 6. Drive Flange | |



Remanufactured Holset – Cummins Compressors (cont'd)

Two Cylinder

The two cylinder Holset compressor has a displacement of 30 cu. ft. per min. at 1250 RPM. It is water cooled only and available from Truck Products in the Cummins flange drive only.



- | | | |
|----------------|-----------------|------------------|
| 1. Governor | 4. Base Plate | 7. Cylinder Head |
| 2. Intake Port | 5. Drive Flange | |
| 3. Crankcase | 6. Water Port | |

Remanufactured Clayton Dewandre Compressors

Single Cylinder

The single cylinder Clayton Dewandre compressor has an approximate displacement of 145cc per min. It is available from Truck Products with a water cooled head, air cooled block and the Caterpillar flange drive only.



- | | | |
|-------------------|--------------|---------------------|
| 1. Cylinder Head | 4. Crankcase | 7. Inlet Port |
| 2. Discharge Port | 5. End Cover | 8. Water Inlet Port |
| 3. Water Out Port | 6. Unloader | |

KN7000X

Midland EL740

Midland Model EL740 Two Cylinder Compressor with four hole base mount and rotatable cylinder head. Air cooled cylinder head and air cooled cylinder block.

KN7000X Shown



Specifications

Part No.	Air Inlet	Air Discharge	Block Wtr. Port	Oil Inlet	Oil Return	Comments
KN7000X	Right, 3/8"	Left, 3/8"	N/A	End Cover	Base	

KN7010X, KN7020X

Midland EL740

Midland Model EL740 Two Cylinder Compressor with four hole base mount and non-rotatable cylinder head. Air cooled cylinder head and air cooled cylinder block.

KN7010X Shown



Specifications

Part No.	Air Inlet	Air Discharge	Block Wtr. Port	Oil Inlet	Oil Return	Comments
KN7010X	Right	Right, Flange	N/A	Base/End Cover	Base	
KN7020X	Left	Left, Flange	N/A	Base/End Cover	Base	

BELT DRIVE

KN7030X

Midland EL740

Midland Model EL740 Two Cylinder Compressor with four hole base mount and rotatable cylinder head. Water cooled cylinder head and air cooled cylinder block.

KN7030X Shown



Specifications

Part No.	Air Inlet	Air Discharge	Block Wtr. Port	Oil Inlet	Oil Return	Comments
KN7030X	Right	Left, Threaded	N/A	Base/End Cover	Base	

KN7040X, KN7041X, KN7050X

Midland EL740

Midland Model EL740 Two Cylinder Compressor with four hole base mount and non-rotatable head. Water cooled cylinder head and air cooled cylinder block.

KN7040X Shown



Specifications

Part No.	Air Inlet	Air Discharge	Block Wtr. Port	Oil Inlet	Oil Return	Comments
KN7040X	Right	Right, Flange	N/A	Base/End Cover	Base	
KN7041X	Left	Left, Flange	N/A	Base/End Cover	Base	Special Ford Base Plate
KN7050X	Left	Left, Flange	N/A	Base/End Cover	Base	

KN7170X, KN7180X

Midland EL740

Midland Model EL740 Two Cylinder Compressor with six hole base mount and non-rotatable cylinder head. Water cooled cylinder head and air cooled cylinder block.

KN7170X Shown



Specifications

Part No.	Air Inlet	Air Discharge	Block Wtr. Port	Oil Inlet	Oil Return	Comments
KN7170X	Right	Right, Flange	N/A	Base/End Cover	Base	
KN7180X	Left	Left, Flange	N/A	Base/End Cover	Base	

KN85020X

Midland EL850

Midland Model EL850 Single Cylinder Compressor with four hole base mount. Air cooled cylinder head and air cooled cylinder block.

KN85020X Shown



Specifications

Part No.	Air Inlet	Air Discharge	Block Wtr. Port	Oil Inlet	Oil Return	Comments
KN85020X	Right	Top, Threaded	N/A	End Cover	Base	

BELT DRIVE

KN86020X

Midland EL850

Midland Model EL850 Single Cylinder Compressor with four hole base mount. Water cooled cylinder head and air cooled cylinder block.

KN86020X Shown



Specifications

Part No.	Air Inlet	Air Discharge	Block Wtr. Port	Oil Inlet	Oil Return	Comments
KN86020X	Right	Top, Threaded	N/A	End Cover	Base	

EL13020X, EL13021X, EL13022X EL13060X, EL16020X, EL16060X

Midland EL1300 & EL1600

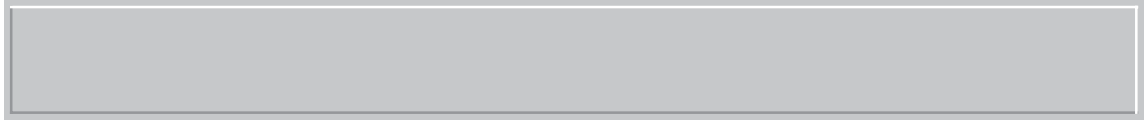
Midland Model EL1300 & EL1600 Two Cylinder Compressor with four hole base mount.

EL13060X Shown



Specifications

Part No.	Air Inlet	Air Discharge	Block Wtr. Port	Oil Inlet	Oil Return	Comments
EL13020X	Right	Top, Flange	Right	End Cover	Base	
EL13021X	Left	Top, Flange	Left	End Cover	Base	
EL13022X	Left	Top, Flange	Left	End Cover	Base	Special Ford Base Plate
EL13060X	Right	Top, Flange	Right	End Cover	Base	
EL16020X	Right	Top, Flange	Right	End Cover	Base	
EL16060X	Right	Top, Flange	Right	End Cover	Base	



This page left blank.

This page left blank.

EL13080X, EL13170X, EL13200X, EL16080X, EL16200X

Midland EL1300 & EL1600

Midland Model EL1300 & EL1600 Two Cylinder Compressor with Caterpillar engine mounting flange and tapered crankshaft.

EL13080X Shown



Specifications

Part No.	Air Inlet	Air Discharge	Block Wtr. Port	Oil Inlet	Oil Return	Comments
EL13080X	Right	Top, Flange	Right	End Cover	Flange	1673,74 Engines-Crankshaft has a key
EL13170X	Right	Top, Flange	Right	End Cover	Flange	1673,74 Engines-Crankshaft has no key
EL13200X	Right	Top, Flange	Right	End Cover	Flange	2° Flange Tilt
EL16080X	Right	Top, Flange	Right	End Cover	Flange	1673,74 Engines-Crankshaft has a key
EL16200X	Right	Top, Flange	Right	End Cover	Flange	2° Flange Tilt

EL13120X, EL16120X

Midland EL1300 & EL1600

Midland Model EL1300 & EL1600 Two Cylinder Compressor with Caterpillar engine mounting flange and splined crankshaft.

EL13120X Shown



Specifications

Part No.	Air Inlet	Air Discharge	Block Wtr. Port	Oil Inlet	Oil Return	Comments
EL13120X	Right	Top, Flange	Right	Crankshaft	Flange	
EL16120X	Right	Top, Flange	Right	Crankshaft	Flange	

EL13151X

Midland EL1300

Midland Model EL1300 Two Cylinder Compressor with Caterpillar 3306 engine mounting flange.

EL13151X Shown



Specifications

Part No.	Air Inlet	Air Discharge	Block Wtr. Port	Oil Inlet	Oil Return	Comments
EL13151X	Right	Top, Flange	Right	End Cover	Flange	

2P8711X

Clayton Dewandre

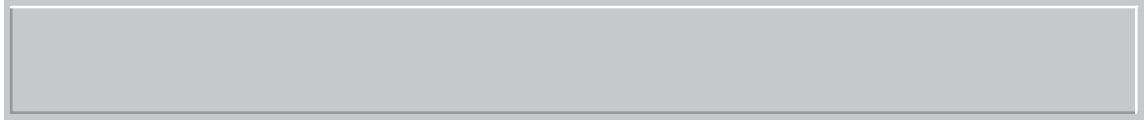
Clayton Dewandre Single Cylinder Compressor with Caterpillar 3306 engine mounting flange and rotatable cylinder head. Water cooled cylinder head and air cooled cylinder block.

2P8711X Shown



Specifications

Part No.	Air Inlet	Air Discharge	Block Wtr. Port	Oil Inlet	Oil Return	Comments
2P8711X	Optional	Optional, Threaded	N/A	End Cover	Drive Flange	Head rotates in 180° increments Two porting options



This page left blank.

This page left blank.

EL13111X, EL16111X

Midland EL1300 & EL1600

Midland Model EL1300 & EL1600 Two Cylinder Compressor with Mack inline 6 engine mounting flange.

EL13111X Shown



Specifications

Part No.	Air Inlet	Air Discharge	Block Wtr. Port	Oil Inlet	Oil Return	Comments
EL13111X	Left	Top, Flange	Left	Crankshaft	Flange	Power Steering Capable
EL16111X	Left	Top, Flange	Left	Crankshaft	Flange	Power Steering Capable

EL14111X

Midland EL3200

Midland Model EL3200 Four Cylinder Compressor with Mack inline 6 engine mounting flange.

EL14111X Shown



Specifications

Part No.	Air Inlet	Air Discharge	Block Wtr. Port	Oil Inlet	Oil Return	Comments
EL14111X	Left	Top, Flange	As Shown	Crankshaft	Flange	

KN86230X

Midland EL850

Midland Model EL850 Single Cylinder Compressor with Cummins B & C series engine mounting flange. Water cooled cylinder head and air cooled cylinder block.

KN86230X Shown



Specifications

Part No.	Air Inlet	Air Discharge	Block Wtr. Port	Oil Inlet	Oil Return	Comments
KN86230X	Optional	Optional, Threaded	N/A	End Cover	Drive Flange	Head rotates in 90° increments or Right, Drive Flange

EL13220X

Midland EL1300

Midland Model EL1300 Two Cylinder Compressor with Cummins B & C series engine mounting flange.

EL13220X Shown



Specifications

Part No.	Air Inlet	Air Discharge	Block Wtr. Port	Oil Inlet	Oil Return	Comments
EL13220X	Right	Side, Flange	Right	Right, Drive Flange	Drive Flange	Special Discharge Fitting

EL13040X, EL16040X

Midland EL1300 & EL1600

Midland Model EL1300 & EL1600 Two Cylinder Compressor with Cummins inline engine mounting flange.

EL13040X Shown



Specifications

Part No.	Air Inlet	Air Discharge	Block Wtr. Port	Oil Inlet	Oil Return	Comments
EL13040X	Right	Top, Flange	Right	Drive Flange	Drive Flange	
EL16040X	Right	Top, Flange	Right	Drive Flange	Drive Flange	

3018543X

Holset-Cummins

Holset-Cummins Single Cylinder Compressor with Cummins inline engine mounting flange.

3018543X Shown



Specifications

Part No.	Air Inlet	Air Discharge	Block Wtr. Port	Oil Inlet	Oil Return	Comments
3018543X	Right	Front, Threaded	Front & Rear	Drive Flange	Drive Flange	Universal Governor Mounting

3048680X

Holset-Cummins

Holset-Cummins Two Cylinder Compressor with Cummins inline engine mounting flange.

3048680X Shown



Specifications

Part No.	Air Inlet	Air Discharge	Block Wtr. Port	Oil Inlet	Oil Return	Comments
3048680X	Right	Front, Threaded	Front & Rear	Drive Flange	Drive Flange	

KN7060X, KN7070X, KN7080X

Midland EL740

Midland Model EL740 Two Cylinder Compressor with Detroit Diesel engine mounting flange. Water cooled cylinder head and air cooled cylinder block.
KN7060X Shown



Specifications

Part No.	Air Inlet	Air Discharge	Block Wtr. Port	Oil Inlet	Oil Return	Comments
KN7060X	Right	Right, Flange	N/A	End Cover	Flange	0° Flange Tilt. Tach. Drive Connection
KN7070X	Right	Right, Flange	N/A	End Cover	Flange	0° Flange Tilt
KN7080X	Left	Left, Flange	N/A	End Cover	Flange	0° Flange Tilt

EL13053X, EL16053X

Midland EL1300 & EL1600

Midland Model EL1300 & EL1600, Series 60 Two Cylinder Compressor with Detroit Diesel engine mounting flange.
EL13053X Shown



Specifications

Part No.	Air Inlet	Air Discharge	Block Wtr. Port	Oil Inlet	Oil Return	Comments
EL13053X	Right	Top, Flange	Left	End Cover	Flange	0° Flange Tilt
EL16053X	Right	Top, Flange	Left	End Cover	Flange	0° Flange Tilt

DETROIT DIESEL ENGINE



EL13050X, EL13051X, EL13070X, EL13090X, EL13100X
 EL13160X, EL16050X, EL16051X, EL16070X, EL16072X
 EL16090X, EL16100X, EL16160X, EL16250X

Midland EL1300 & EL1600

Midland Model EL1300 & EL1600 Two Cylinder Compressor with Detroit Diesel engine mounting flange.

EL13050X Shown

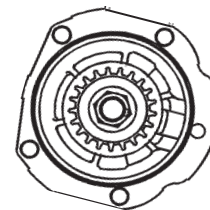
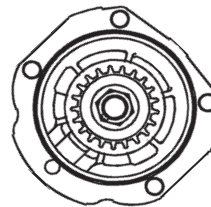
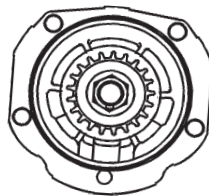
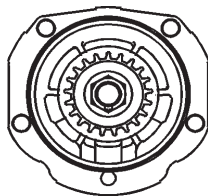


0°
Flange Tilt

1 & 4°
Flange Tilt

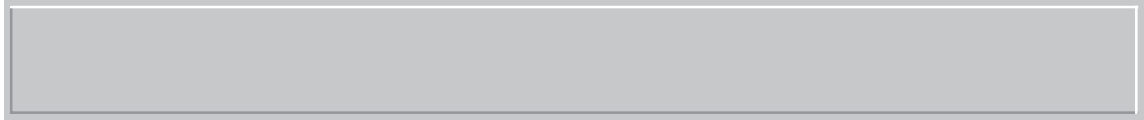
41, 45 & 50°
Flange Tilt

75°
Flange Tilt



Specifications

Part No.	Air Inlet	Air Discharge	Block Wtr. Port	Oil Inlet	Oil Return	Comments
EL13050X	Right	Top, Flange	Right	End Cover	Flange	0° Flange Tilt
EL13051X	Right	Top, Flange	Left	End Cover	Flange	0° Flange Tilt
EL13070X	Right	Top, Flange	Left	End Cover	Flange	1° Flange Tilt
EL13090X	Right	Top, Flange	Right	End Cover	Flange	41° Flange Tilt
EL13100X	Right	Top, Flange	Right	End Cover	Flange	50° Flange Tilt
EL13160X	Right	Top, Flange	Right	End Cover	Flange	45° Flange Tilt
EL16050X	Right	Top, Flange	Right	End Cover	Flange	0° Flange Tilt
EL16051X	Right	Top, Flange	Left	End Cover	Flange	0° Flange Tilt
EL16070X	Right	Top, Flange	Left	End Cover	Flange	1° Flange Tilt
EL16072X	Right	Top, Flange	Left	End Cover	Flange	4° Flange Tilt
EL16090X	Right	Top, Flange	Right	End Cover	Flange	41° Flange Tilt
EL16100X	Right	Top, Flange	Right	End Cover	Flange	50° Flange Tilt
EL16160X	Right	Top, Flange	Right	End Cover	Flange	45° Flange Tilt
EL16250X	Right	Top, Flange	Right	End Cover	Flange	75° Flange Tilt



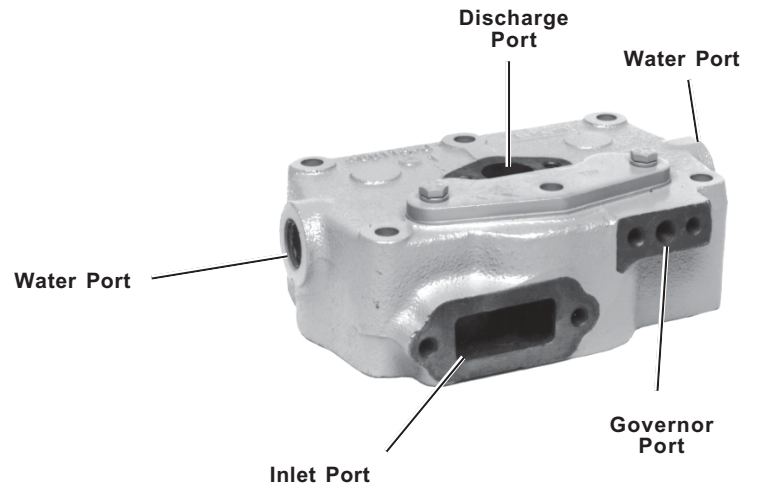
This page left blank.

This page left blank.

KN17090X

Midland Compressor Cylinder Head

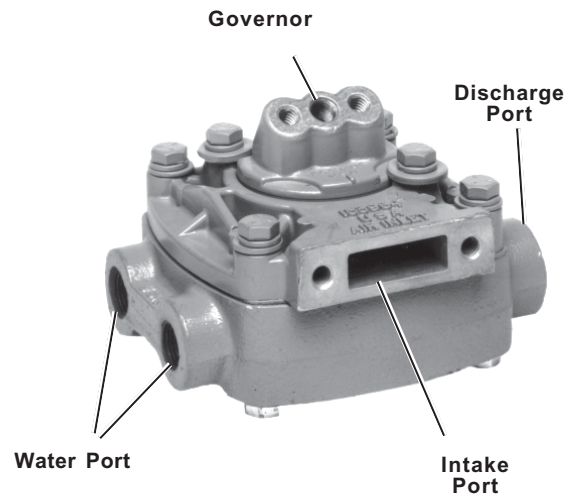
This kit services Midland Compressors: EL1300 and EL1600 Series Compressors



3044389X

Cummins Compressor Cylinder Head

This kit services Cummins Compressors: 3018543X



COMPRESSOR KIT CROSS REFERENCE

How to use the Compressor Kit Cross Reference Charts

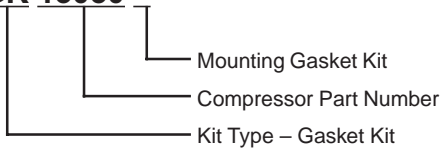
On the following pages are a series of charts listing all of the Repair & Gasket Kit part numbers, along with the part number of the compressor each kit services. There are four (4) separate charts; one for the Cummins compressors and kits, and one each for the Midland EL740, EL850, and EL1300/1600 series compressors and kits.

The compressor repair and gasket kit part numbers are listed across the top of each chart, with the compressor part numbers listed down the left side. Use the charts in one of two ways:

1. Locate the compressor part number on the left side of the chart. Move horizontally across the chart to identify each kit part number that services a particular compressor by the checked boxes (✓).
2. Locate the kit part number from the top of the chart. Move vertically down the chart to identify every compressor part number that a particular kit services by the checked boxes (✓).

Compressor Part No.'s	GK13020	GK13021	GK13022	GK13040	GK13050	GK13051
EL13020X	✓	✓	✓			
EL13021X	✓	✓	✓			
EL13022X	✓	✓	✓			
EL13040X				✓	✓	
EL13050X				✓	✓	✓
EL13051X				✓	✓	✓

GK 13050



Repair & Gasket Kit Part Number Identification

The alphanumeric part numbers used for the Midland Repair & Gasket Kits indicate the type of kit, the model or the part number series of the compressor where used, and, where applicable, the size.

Gasket Kits

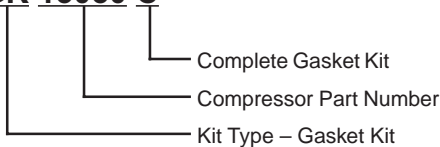
Mounting Gasket Kits

The Mounting Gasket Kits include all of the necessary gaskets required to mount the compressor and any gaskets required for line or hose connections.

Complete Gasket Kits

The Complete Gasket Kits include a Mounting Gasket Kit and all of the gaskets required for complete assembly of the compressor.

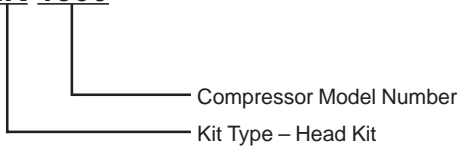
GK 13050 C



Head Kit

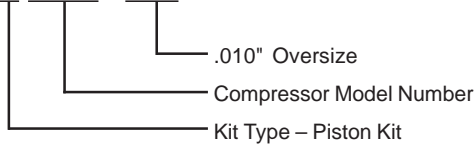
The Head Kits include an Unloader Kit, discharge valve(s), and inlet valve(s). Also included would be the necessary gaskets required for installing the cylinder head to the compressor along with any gaskets required for line or hose connections.

HK 1300



COMPRESSOR KIT CROSS REFERENCE

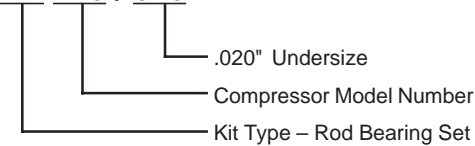
P 1300 / 010



Piston Kits

The Piston Kits include Piston, Pin, and Retainers. Kits are available in Std., .010", .020", and .030" oversize. The piston size is stamped into the top of the piston for easy identification.

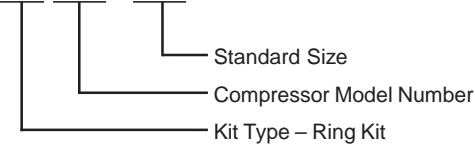
RB 740 / 020



Rod Bearing Set

The Rod Bearing Sets include enough bearing halves to service one compressor (two bearing halves for a one cylinder compressor, four bearing halves for a two cylinder compressor). Kits are available in Std., .010", .020", and .030" undersize.

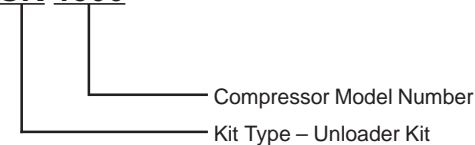
RK 850 / 000



Piston Ring Kits

The Piston Ring Kits include the appropriate quantities of oil and compression rings to service one compressor. Kits are available in Std., .010", .020", and .030" oversize.

UK 1300



Unloader Kits

The Unloader Kits include all of the necessary springs, seals and pins required for rebuilding the unloader valves.

COMPRESSOR KIT CROSS REFERENCE

Cummins Compressor

Service Kits

Compressor Part No.'s	Compressor Kit Part No.'s																
3018543X	UK8543 Unloader Kit	AR3559509 Cyl. Head Repair Kit	AR3559511 Cyl. Head Repair Kit	GK8543 Mounting Gasket Kit	GK8680 Mounting Gasket Kit	AR73308 Complete Gasket Kit	AR73350 Piston Ring Kit	AR73351 Piston Ring Kit	AR73352 Piston Ring Kit	AR73353 Piston Ring Kit	AR3045670 Piston Kit	AR3045671 Piston Kit	AR3045672 Piston Kit	AR3045673 Piston Kit	AR200398 Drive Gear	AR3000174 Drive Gear	3044389X Cylinder Head
3048680X		✓	✓			✓	✓				✓	✓			✓	✓	

Midland EL740 Compressor

Service Kits

Compressor Part No.'s	Compressor Kit Part No.'s																						
KN7000X	UK740 Unloader Kit	HK740 Cyl. Head Repair Kit	GK7000 Mounting Gasket Kit	GK7000C Complete Gasket Kit	GK7041 Mounting Gasket Kit	GK7041C Complete Gasket Kit	GK7070 Mounting Gasket Kit	GK7070C Complete Gasket Kit	GK7170 Mounting Gasket Kit	GK7170C Complete Gasket Kit	RK740-000 Piston Ring Kit	RK740-010 Piston Ring Kit	RK740-020 Piston Ring Kit	RK740-030 Piston Ring Kit	P740-000 Piston Kit	P740-010 Piston Kit	P740-020 Piston Kit	P740-030 Piston Kit	RB740-000 Rod Bearing Set	RB740-010 Rod Bearing Set	RB740-020 Rod Bearing Set	RB740-030 Rod Bearing Set	
KN7010X			✓	✓							✓	✓	✓	✓	✓	✓	✓	✓	✓	✓	✓	✓	✓
KN7020X			✓	✓							✓	✓	✓	✓	✓	✓	✓	✓	✓	✓	✓	✓	✓
KN7030X			✓	✓							✓	✓	✓	✓	✓	✓	✓	✓	✓	✓	✓	✓	✓
KN7040X			✓	✓							✓	✓	✓	✓	✓	✓	✓	✓	✓	✓	✓	✓	✓
KN7041X											✓	✓	✓	✓	✓	✓	✓	✓	✓	✓	✓	✓	✓
KN7050X			✓	✓							✓	✓	✓	✓	✓	✓	✓	✓	✓	✓	✓	✓	✓
KN7060X								✓	✓		✓	✓	✓	✓	✓	✓	✓	✓	✓	✓	✓	✓	✓
KN7070X								✓	✓		✓	✓	✓	✓	✓	✓	✓	✓	✓	✓	✓	✓	✓
KN7080X								✓	✓		✓	✓	✓	✓	✓	✓	✓	✓	✓	✓	✓	✓	✓
KN7170X											✓	✓	✓	✓	✓	✓	✓	✓	✓	✓	✓	✓	✓
KN7180X											✓	✓	✓	✓	✓	✓	✓	✓	✓	✓	✓	✓	✓

Midland EL850 Compressor

Service Kits

Compressor Part No.'s	Compressor Kit Part No.'s																	
KN85020X	UK850 Unloader Kit	HK850 Cyl. Head Repair Kit	GK85020 Mounting Gasket Kit	GK85020C Complete Gasket Kit	GK86230 Mounting Gasket Kit	GK86230C Complete Gasket Kit	RK850-000 Piston Ring Kit	RK850-010 Piston Ring Kit	RK850-020 Piston Ring Kit	RK850-030 Piston Ring Kit	P850-000 Piston Kit	P850-010 Piston Kit	P850-020 Piston Kit	P850-030 Piston Kit	RB850-000 Rod Bearing Set	RB850-010 Rod Bearing Set	RB850-020 Rod Bearing Set	RB850-030 Rod Bearing Set
KN86020X	✓	✓	✓	✓			✓	✓	✓	✓	✓	✓	✓	✓	✓	✓	✓	✓
KN86230X	✓	✓	✓	✓	✓	✓	✓	✓	✓	✓	✓	✓	✓	✓	✓	✓	✓	✓

COMPRESSOR KIT CROSS REFERENCE

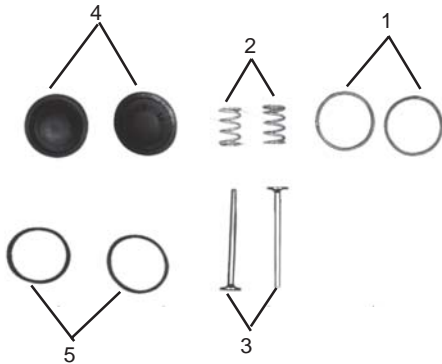
Midland EL1300 & EL1600 Compressor Service Kits

Compressor Part No.'s	UK1300 Unloader Kit	HK1300 Cyl. Head Repair Kit	GK13020 Mounting Gasket Kit	GK13020C Complete Gasket Kit	GK13022 Mounting Gasket Kit	GK13022C Complete Gasket Kit	GK13040 Mounting Gasket Kit	GK13040C Complete Gasket Kit	GK13050 Mounting Gasket Kit	GK13050C Complete Gasket Kit	GK13053C Complete Gasket Kit	GK13080 Mounting Gasket Kit	GK13080C Complete Gasket Kit	GK13111 Mounting Gasket Kit	GK13111C Complete Gasket Kit	GK13151 Mounting Gasket Kit	GK13151C Complete Gasket Kit	GK13220 Mounting Gasket Kit	GK13220C Complete Gasket Kit	GK14111 Mounting Gasket Kit	GK14111C Complete Gasket Kit	RK1316-000 Piston Ring Kit	RK1316-010 Piston Ring Kit	RK1316-020 Piston Ring Kit	RK1316-030 Piston Ring Kit	P1300-000 Piston Kit	P1300-010 Piston Kit	P1300-020 Piston Kit	P1300-030 Piston Kit	RB1300-000 Rod Bearing Set	RB1300-010 Rod Bearing Set	RB1300-020 Rod Bearing Set	RB1300-030 Rod Bearing Set	KN1709X Cylinder Head					
EL13020X	✓	✓	✓	✓																		✓	✓	✓	✓	✓	✓	✓	✓	✓	✓	✓	✓	✓	✓	✓			
EL13021X	✓	✓	✓	✓																			✓	✓	✓	✓	✓	✓	✓	✓	✓	✓	✓	✓	✓	✓			
EL13022X	✓	✓	✓	✓		✓	✓																✓	✓	✓	✓	✓	✓	✓	✓	✓	✓	✓	✓	✓	✓			
EL13040X	✓	✓	✓	✓			✓	✓															✓	✓	✓	✓	✓	✓	✓	✓	✓	✓	✓	✓	✓	✓			
EL13050X	✓	✓	✓	✓					✓	✓													✓	✓	✓	✓	✓	✓	✓	✓	✓	✓	✓	✓	✓	✓	✓		
EL13051X	✓	✓	✓	✓					✓	✓													✓	✓	✓	✓	✓	✓	✓	✓	✓	✓	✓	✓	✓	✓	✓		
EL13053X	✓	✓	✓	✓					✓	✓													✓	✓	✓	✓	✓	✓	✓	✓	✓	✓	✓	✓	✓	✓	✓		
EL13060X	✓	✓	✓	✓	✓	✓																	✓	✓	✓	✓	✓	✓	✓	✓	✓	✓	✓	✓	✓	✓	✓		
EL13070X	✓	✓	✓	✓					✓	✓													✓	✓	✓	✓	✓	✓	✓	✓	✓	✓	✓	✓	✓	✓	✓		
EL13080X	✓	✓	✓	✓					✓	✓			✓	✓									✓	✓	✓	✓	✓	✓	✓	✓	✓	✓	✓	✓	✓	✓	✓		
EL13090X	✓	✓	✓	✓					✓	✓													✓	✓	✓	✓	✓	✓	✓	✓	✓	✓	✓	✓	✓	✓	✓		
EL13100X	✓	✓	✓	✓					✓	✓													✓	✓	✓	✓	✓	✓	✓	✓	✓	✓	✓	✓	✓	✓	✓		
EL13111X	✓	✓	✓	✓										✓	✓								✓	✓	✓	✓	✓	✓	✓	✓	✓	✓	✓	✓	✓	✓	✓		
EL13120X	✓	✓	✓	✓									✓	✓									✓	✓	✓	✓	✓	✓	✓	✓	✓	✓	✓	✓	✓	✓	✓		
EL13151X	✓	✓	✓	✓												✓	✓						✓	✓	✓	✓	✓	✓	✓	✓	✓	✓	✓	✓	✓	✓	✓		
EL13160X	✓	✓	✓	✓					✓	✓													✓	✓	✓	✓	✓	✓	✓	✓	✓	✓	✓	✓	✓	✓	✓	✓	
EL13170X	✓	✓	✓	✓									✓	✓									✓	✓	✓	✓	✓	✓	✓	✓	✓	✓	✓	✓	✓	✓	✓	✓	
EL13200X	✓	✓	✓	✓									✓	✓									✓	✓	✓	✓	✓	✓	✓	✓	✓	✓	✓	✓	✓	✓	✓	✓	
EL13220X	✓	✓	✓	✓															✓	✓			✓	✓	✓	✓	✓	✓	✓	✓	✓	✓	✓	✓	✓	✓	✓	✓	
EL14111X	✓	✓	✓	✓																		✓	✓	✓	✓	✓	✓	✓	✓	✓	✓	✓	✓	✓	✓	✓	✓	✓	
EL16020X	✓	✓	✓	✓	✓	✓																	✓	✓	✓	✓	✓	✓	✓	✓	✓	✓	✓	✓	✓	✓	✓	✓	
EL16040X	✓	✓	✓	✓			✓	✓															✓	✓	✓	✓	✓	✓	✓	✓	✓	✓	✓	✓	✓	✓	✓	✓	
EL16050X	✓	✓	✓	✓					✓	✓													✓	✓	✓	✓	✓	✓	✓	✓	✓	✓	✓	✓	✓	✓	✓	✓	✓
EL16051X	✓	✓	✓	✓					✓	✓													✓	✓	✓	✓	✓	✓	✓	✓	✓	✓	✓	✓	✓	✓	✓	✓	✓
EL16053X	✓	✓	✓	✓					✓	✓													✓	✓	✓	✓	✓	✓	✓	✓	✓	✓	✓	✓	✓	✓	✓	✓	✓
EL16060X	✓	✓	✓	✓	✓	✓																	✓	✓	✓	✓	✓	✓	✓	✓	✓	✓	✓	✓	✓	✓	✓	✓	✓
EL16070X	✓	✓	✓	✓					✓	✓													✓	✓	✓	✓	✓	✓	✓	✓	✓	✓	✓	✓	✓	✓	✓	✓	✓
EL16072X	✓	✓	✓	✓					✓	✓													✓	✓	✓	✓	✓	✓	✓	✓	✓	✓	✓	✓	✓	✓	✓	✓	✓
EL16080X	✓	✓	✓	✓									✓	✓									✓	✓	✓	✓	✓	✓	✓	✓	✓	✓	✓	✓	✓	✓	✓	✓	✓
EL16090X	✓	✓	✓	✓					✓	✓													✓	✓	✓	✓	✓	✓	✓	✓	✓	✓	✓	✓	✓	✓	✓	✓	✓
EL16100X	✓	✓	✓	✓					✓	✓													✓	✓	✓	✓	✓	✓	✓	✓	✓	✓	✓	✓	✓	✓	✓	✓	✓
EL16111X	✓	✓	✓	✓										✓	✓								✓	✓	✓	✓	✓	✓	✓	✓	✓	✓	✓	✓	✓	✓	✓	✓	✓
EL16120X	✓	✓	✓	✓									✓	✓									✓	✓	✓	✓	✓	✓	✓	✓	✓	✓	✓	✓	✓	✓	✓	✓	✓
EL16160X	✓	✓	✓	✓					✓	✓													✓	✓	✓	✓	✓	✓	✓	✓	✓	✓	✓	✓	✓	✓	✓	✓	✓
EL16200X	✓	✓	✓	✓									✓	✓									✓	✓	✓	✓	✓	✓	✓	✓	✓	✓	✓	✓	✓	✓	✓	✓	✓
EL16250X	✓	✓	✓	✓					✓	✓													✓	✓	✓	✓	✓	✓	✓	✓	✓	✓	✓	✓	✓	✓	✓	✓	✓

UK740

Midland Compressor Unloader Kit

This kit services Midland Compressors: All EL740 Series Compressors
Includes

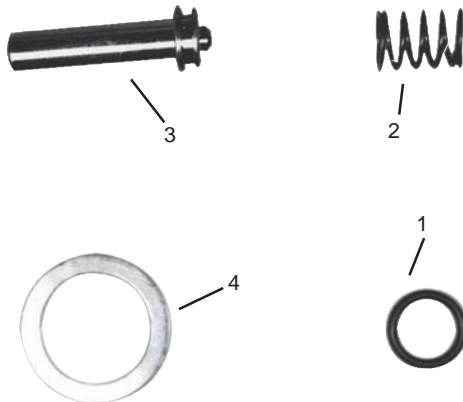


Item No.	Description	Qty.	Part No.
1	Cup Spring	2	—
2	Spring	2	—
3	Pin 1-1/4"	2	—
4	Unloader Cup	2	—
5	O-Ring	2	—

UK850

Midland Compressor Unloader Kit

This kit services Midland Compressors: All EL850 Series Compressors
Includes

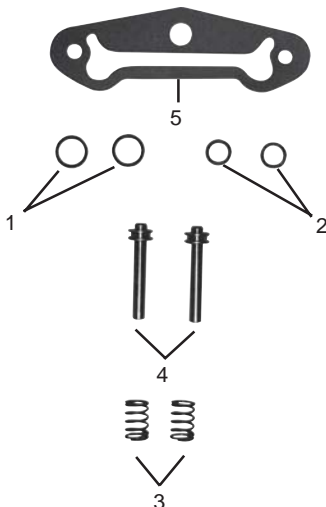


Item No.	Description	Qty.	Part No.
1	O-Ring	1	—
2	Spring	1	—
3	Piston Assy.	1	—
4	Copper Washer	1	—

UK1300

Midland Compressor Unloader Kit

This kit services Midland Compressors: All EL1300 and EL1600 Series Compressors
Includes



Item No.	Description	Qty.	Part No.
1	O-Ring	2	—
2	O-Ring	2	—
3	Spring	2	—
4	Piston Assy.	2	—
5	Gasket	1	—

UK8543

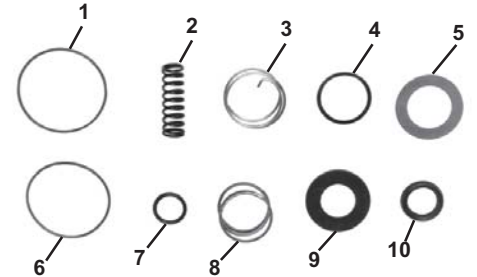
Cummins Compressor Unloader Kit

This kit services Cummins Compressors: 3015843X, 3048680X

Includes

Item No.	Description	Qty.	Part No.
1	Unloader O-Ring (Red)	1	—
2	Unloader Valve Spring	1	—
3	Intake Valve Spring	1	—
4	Wear Plate	1	—
5	Intake Valve	1	—
6	Intake Valve O-Ring (Red)	1	—
7	Exhaust Valve O-Ring	1	—
8	Exhaust Valve Spring	1	—
9	Exhaust Valve	1	—
10	Cup Seal	1	—

Comments: 2 kits required to service 3048680X Compressor



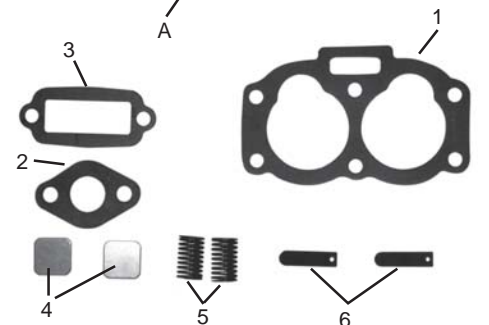
HK740

Midland Compressor Cylinder Head Repair Kit

This kit services Midland Compressors: All EL740 Series Compressors

Includes

Item No.	Description	Qty.	Part No.
A	Unloader Kit	1	UK740
1	Cylinder Head Gasket	1	—
2	Discharge Port Gasket	1	—
3	Inlet Port Gasket	1	—
4	Discharge Valve	2	—
5	Discharge Valve Spring	2	—
6	Inlet Valve	2	—



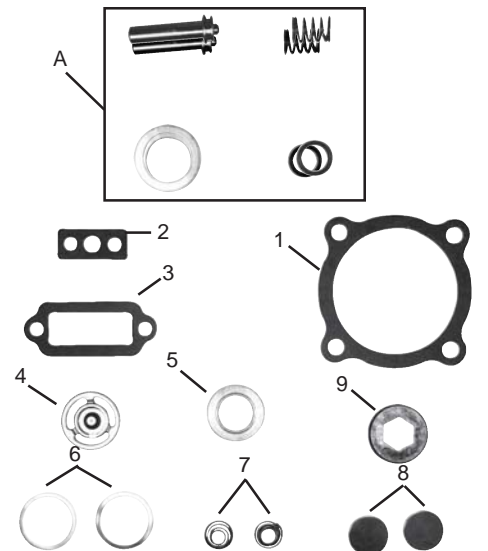
HK850

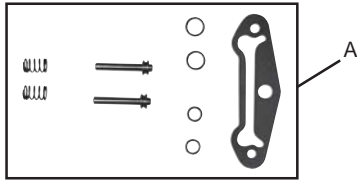
Midland Compressor Cylinder Head Repair Kit

This kit services Midland Compressors: All EL850 Series Compressors

Includes

Item No.	Description	Qty.	Part No.
A	Unloader Kit	1	UK850
1	Cylinder Head Gasket	1	—
2	Governor Gasket	1	—
3	Inlet Port Gasket	1	—
4	Inlet Valve Cage	1	—
5	Inlet Valve Seat	1	—
6	Copper Washer	2	—
7	Inlet/Exhaust Springs	2	—
8	Inlet/Exhaust Plates	2	—
9	Exhaust Valve Seat	1	—

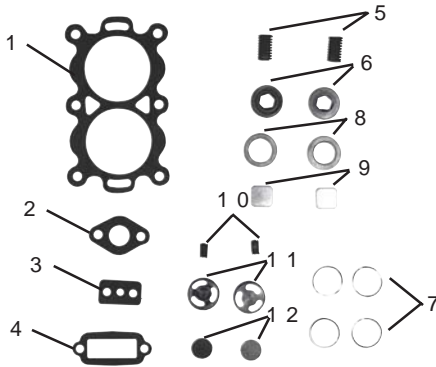




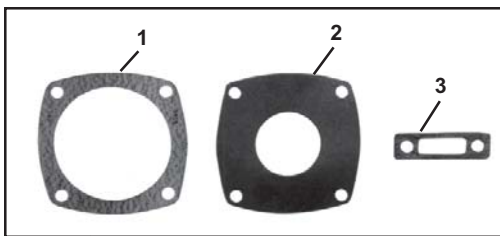
HK1300

Midland Compressor Cylinder Head Repair Kit

This kit services Midland Compressors: All EL1300 and EL1600 Series Compressors
Includes



Item No.	Description	Qty.	Part No.
A	Unloader Kit	1	UK1300
1	Cylinder Head Gasket	1	—
2	Discharge Port Gasket	1	—
3	Governor Gasket	1	—
4	Inlet Port Gasket	1	—
5	Exhaust Valve Springs	2	—
6	Exhaust Valve Seat	2	—
7	Copper Washer	4	—
8	Inlet Valve Seat	2	—
9	Exhaust Valve Plate	2	—
10	Inlet Valve Spring	2	—
11	Inlet Valve Cage	2	—
12	Inlet Valve Plate	2	—

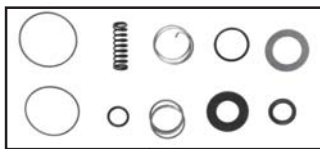


AR3559511

Cummins Compressor Minor Cylinder Head Repair Kit

This kit services Cummins Compressors: 3018543X
Includes

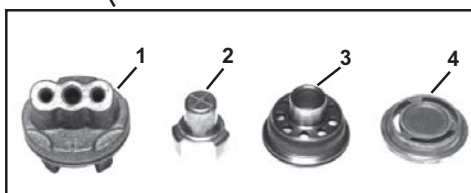
Item No.	Description	Qty.	Part No.
A	Unloader Kit	1	UK8543
1	Head Block Gasket	1	—
2	Head Cover Gasket	1	—
3	Air Inlet Gasket	1	—



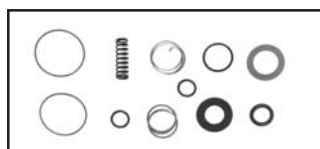
AR3559509

Cummins Compressor Major Cylinder Head Repair Kit (Late Style)

This kit services Cummins Compressors: 3018543X
Includes



Item No.	Description	Qty.	Part No.
A	Unloader Kit	1	UK8543
B	Mounting Gasket Kit	1	AR3559511
1	Unloader Valve Body	1	—
2	Unloader Cap	1	—
3	Exhaust Seat	1	—
4	Intake Valve Seat	1	—



AR3559510

Cummins Compressor Major Cylinder Head Repair Kit (Early Style)

This kit services Cummins Compressors: 3018543X
Includes

Item No.	Description	Qty.	Part No.
D	Unloader Kit	1	—
B	Mounting Gasket Kit	1	AR3559511
1	Unloader Valve Body	1	—
2	Unloader Cap	1	—
3	Exhaust Seat	1	—
4	Intake Valve Seat	1	—

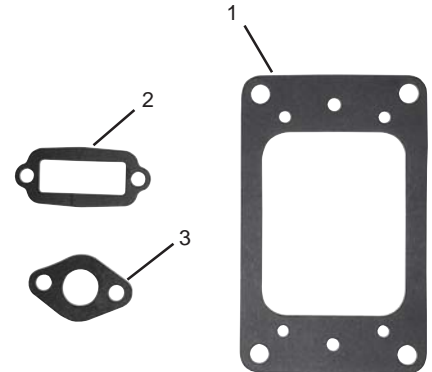
GK7000

Midland Compressor Mounting Gasket Kit

This kit services Midland Compressors: KN7000X, KN7010X, KN7020X, KN7030X, KN7040X, KN7050X

Includes

Item No.	Description	Qty.	Part No.
1	Mounting Gasket (Base)	1	—
2	Inlet Port Gasket	1	—
3	Discharge Port Gasket	1	—



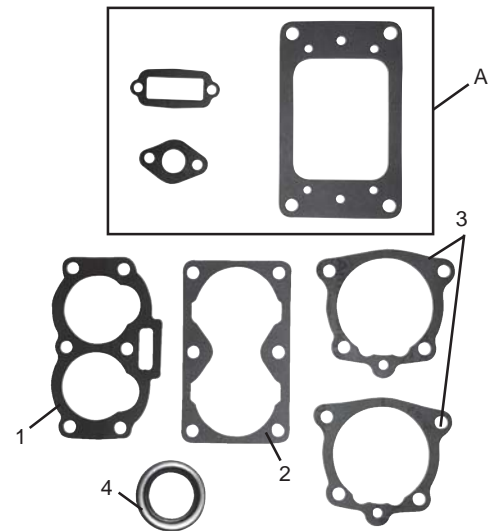
GK7000C

Midland Compressor Complete Gasket Kit

This kit services Midland Compressors: KN7000X, KN7010X, KN7020X, KN7030X, KN7040X, KN7050X

Includes

Item No.	Description	Qty.	Part No.
A	Mounting Gasket Kit	1	GK7000
1	Cylinder Head Gasket	1	—
2	Cylinder Block Gasket	1	—
3	End Cover Gasket	2	—
4	Oil Seal	1	—



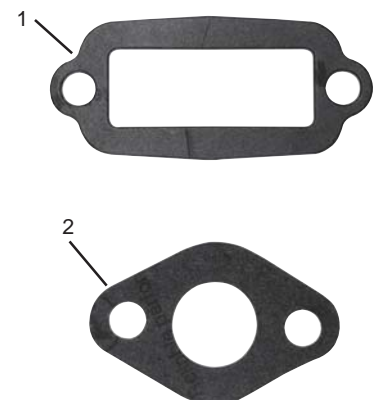
GK7041

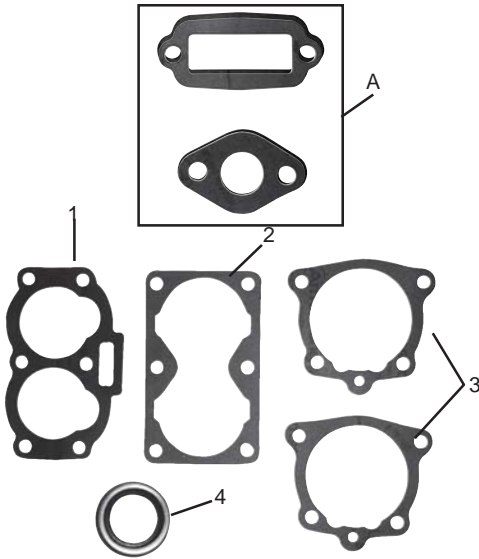
Midland Compressor Mounting Gasket Kit

This kit services Midland Compressors: KN7041X

Includes

Item No.	Description	Qty.	Part No.
1	Inlet Port Gasket	1	—
2	Discharge Port Gasket	1	—
3	Mounting Gasket	1	Not Shown



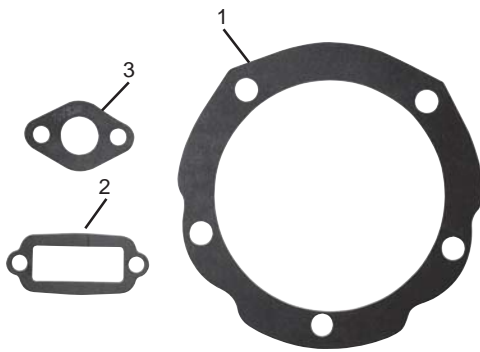


GK7041C

Midland Compressor Complete Gasket Kit

This kit services Midland Compressors: **KN7041X**
Includes

Item No.	Description	Qty.	Part No.
A	Mounting Gasket Kit	1	GK7041
1	Cylinder Head Gasket	1	—
2	Cylinder Block Gasket	1	—
3	End Cover Gasket	2	—
4	Oil Seal	1	—

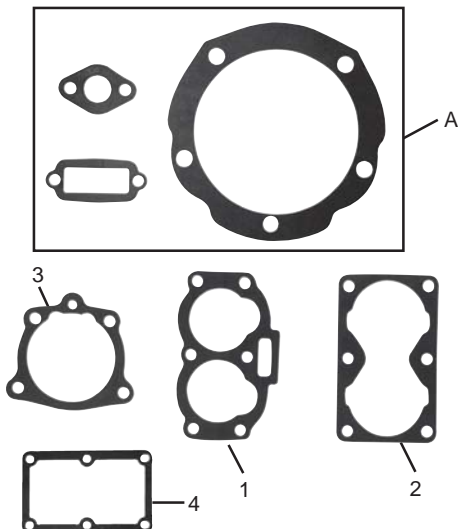


GK7070

Midland Compressor Mounting Gasket Kit

This kit services Midland Compressors: **KN7060X, KN7070X, KN7080X**
Includes

Item No.	Description	Qty.	Part No.
1	Mounting Gasket (Flange)	1	—
2	Inlet Port Gasket	1	—
3	Discharge Gasket	1	—



GK7070C

Midland Compressor Complete Gasket Kit

This kit services Midland Compressors: **KN7060X, KN7070X, KN7080X**
Includes

Item No.	Description	Qty.	Part No.
A	Mounting Gasket Kit	1	GK7070
1	Cylinder Head Gasket	1	—
2	Cylinder Block Gasket	1	—
3	End Cover Gasket	1	—
4	Base Plate Gasket	1	—

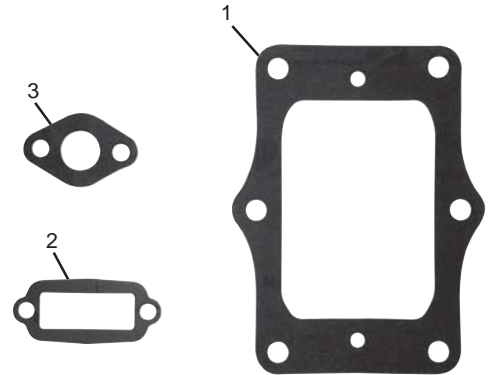
GK7170

Midland Compressor Mounting Gasket Kit

This kit services Midland Compressors: KN7170X, KN7180X

Includes

Item No.	Description	Qty.	Part No.
1	Mounting Gasket (Base)	1	—
2	Inlet Port Gasket	1	—
3	Discharge Port Gasket	1	—



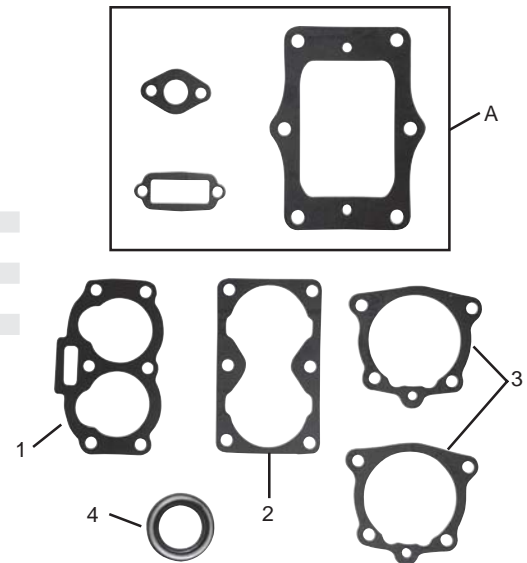
GK7170C

Midland Compressor Complete Gasket Kit

This kit services Midland Compressors: KN7170X, KN7180X

Includes

Item No.	Description	Qty.	Part No.
A	Mounting Gasket Kit	1	GK7170
1	Cylinder Head Gasket	1	—
2	Cylinder Block Gasket	1	—
3	End Cover Gasket	2	—
4	O-Ring	2	—



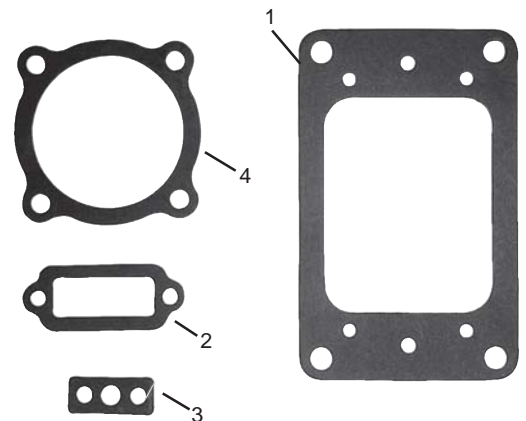
GK85020

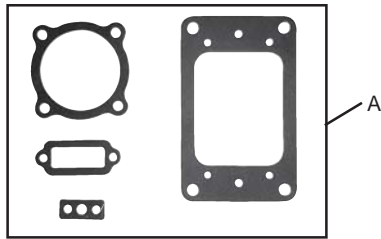
Midland Compressor Mounting Gasket Kit

This kit services Midland Compressors: KN85020X

Includes

Item No.	Description	Qty.	Part No.
1	Mounting Gasket (Base)	1	—
2	Inlet Port Gasket	1	—
4	Cylinder Head Gasket	1	—





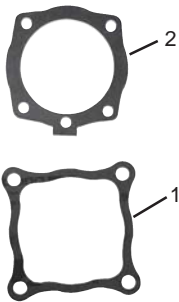
GK85020C

Midland Compressor Complete Gasket Kit

This kit services Midland Compressors: KN85020X

Includes

Item No.	Description	Qty.	Part No.
A	Mounting Gasket Kit	1	GK85020
1	Cylinder Block Gasket	1	—
2	End Cover Gasket	1	—



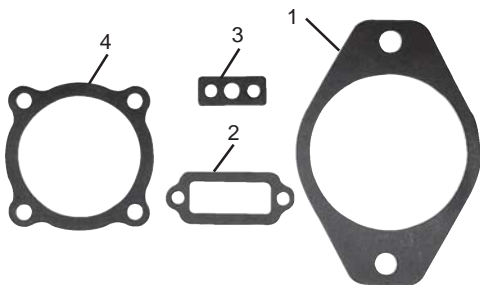
GK86230

Midland Compressor Mounting Gasket Kit

This kit services Midland Compressors: KN86230X

Includes

Item No.	Description	Qty.	Part No.
1	Mounting Gasket (Flange)	1	—
2	Inlet Port Gasket	1	—
3	Governor Gasket	1	—
4	Cylinder Head Gasket	1	—



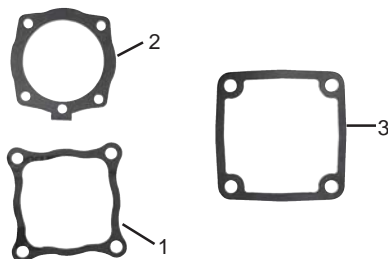
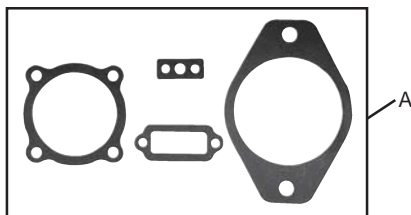
GK86230C

Midland Compressor Complete Gasket Kit

This kit services Midland Compressors: KN86230X

Includes

Item No.	Description	Qty.	Part No.
A	Mounting Gasket Kit	1	GK86230
1	Cylinder Block Gasket	1	—
2	End Cover Gasket	1	—
3	Base Plate Gasket	1	—



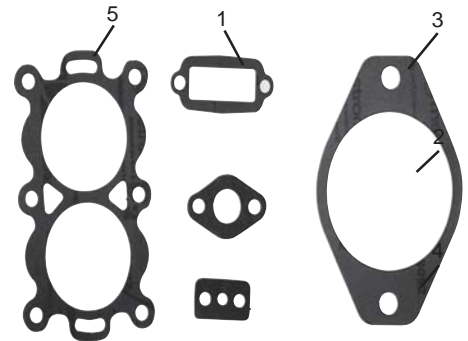
GK13020

Midland Compressor Mounting Gasket Kit

This kit services Midland Compressors: EL13020X, EL13021X, EL13060X, EL16020X, EL16060X

Includes

Item No.	Description	Qty.	Part No.
1	Mounting Gasket (Base)	1	—
2	Inlet Port Gasket	1	—
3	Discharge Port Gasket	1	—
4	Governor Gasket	1	—
5	Cylinder Head Gasket	1	—



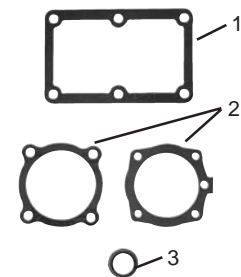
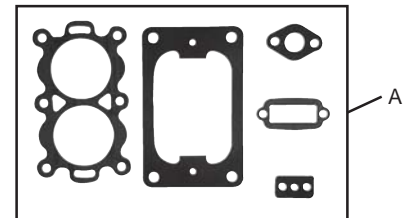
GK13020C

Midland Compressor Complete Gasket Kit

This kit services Midland Compressors: EL13020X, EL13021X, EL13060X, EL16020X, EL16060X

Includes

Item No.	Description	Qty.	Part No.
A	Mounting Gasket Kit	1	GK13020
1	Cylinder Block Gasket	1	—
2	End Cover Gasket	2	—
3	Oil Seal	1	—



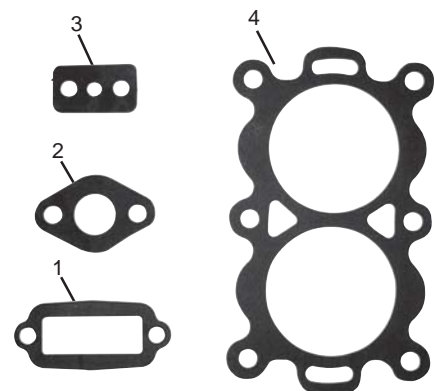
GK13022

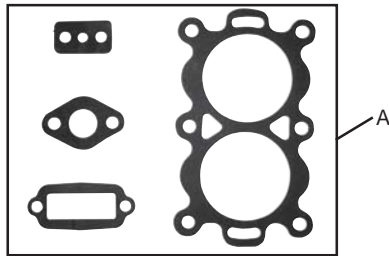
Midland Compressor Mounting Gasket Kit

This kit services Midland Compressors: EL13022X

Includes

Item No.	Description	Qty.	Part No.
1	Inlet Port Gasket	1	—
2	Discharge Port Gasket	1	—
3	Governor Gasket	1	—
4	Cylinder Head Gasket	1	—
5	Mounting Gasket	1	Not Shown



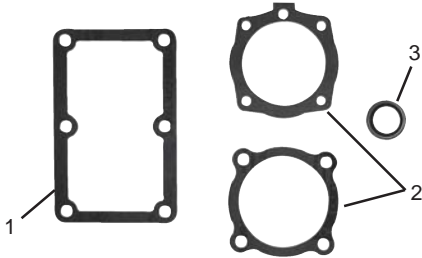


GK13022C

Midland Compressor Complete Gasket Kit

This kit services Midland Compressors: EL13022X
Includes

Item No.	Description	Qty.	Part No.
A	Mounting Gasket Kit	1	GK13022
1	Cylinder Block Gasket	1	—
2	End Cover Gasket	2	—
3	Oil Seal	1	—

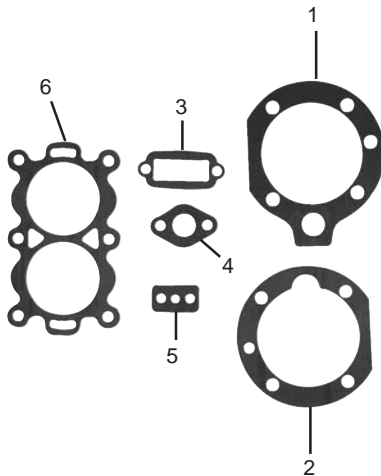


GK13040

Midland Compressor Mounting Gasket Kit

This kit services Midland Compressors: EL13040X, EL16040X
Includes

Item No.	Description	Qty.	Part No.
1	Mounting Gasket (Front)	1	—
2	Mounting Gasket (Rear)	1	—
3	Inlet Port Gasket	1	—
4	Discharge Port Gasket	1	—
5	Governor Gasket	1	—
6	Cylinder Head Gasket	1	—

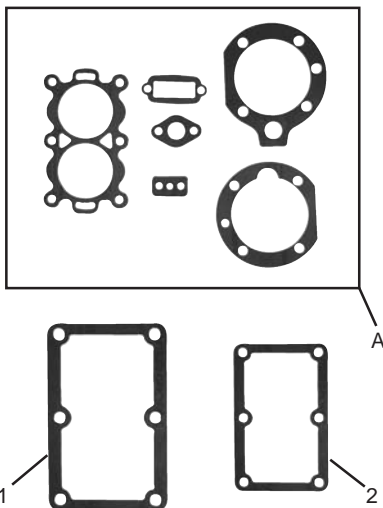


GK13040C

Midland Compressor Complete Gasket Kit

This kit services Midland Compressors: EL13040X, EL16040X
Includes

Item No.	Description	Qty.	Part No.
A	Mounting Gasket Kit	1	GK13040
1	Cylinder Block Gasket	1	—
2	Base Plate Gasket	1	—



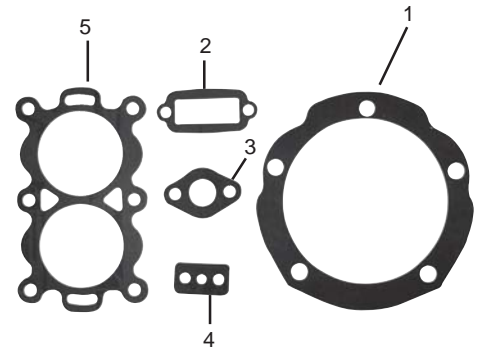
GK13050

Midland Compressor Mounting Gasket Kit

This kit services Midland Compressors: EL13050X, EL13051X, EL13053X, EL13070X, EL13090X, EL13100X, EL13160X, EL16050X, EL16051X, EL16053X, EL16070X, EL16072X, EL16090X, EL16100X, EL16160X, EL16250X

Includes

Item No.	Description	Qty.	Part No.
1	Mounting Gasket (Flange)	1	—
2	Inlet Port Gasket	1	—
3	Discharge Port Gasket	1	—
4	Governor Gasket	1	—
5	Cylinder Head Gasket	1	—



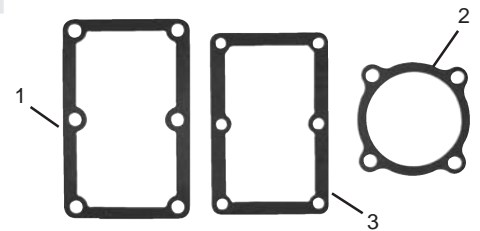
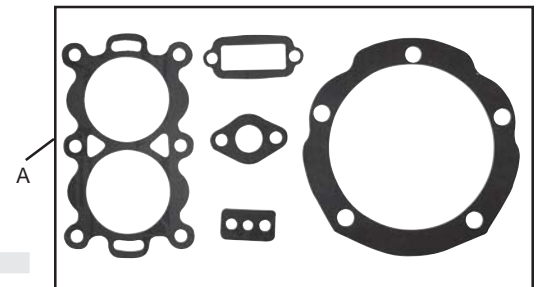
GK13050C

Midland Compressor Complete Gasket Kit

This kit services Midland Compressors: EL13050X, EL13051X, EL13070X, EL13090X, EL13100X, EL13160X, EL16050X, EL16051X, EL16070X, EL16072X, EL16090X, EL16100X, EL16160X, EL16250X

Includes

Item No.	Description	Qty.	Part No.
A	Mounting Gasket Kit	1	GK13050
1	Cylinder Block Gasket	1	—
2	End Cover Gasket	1	—
3	Base Plate Gasket	1	—



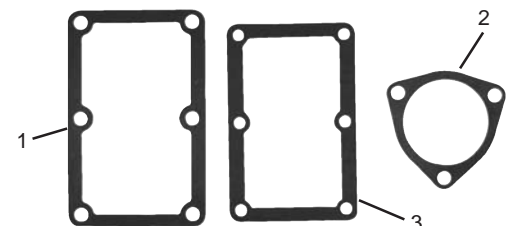
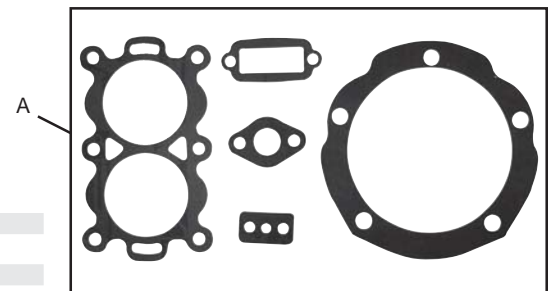
GK13053C

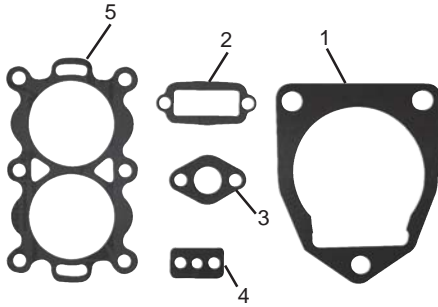
Midland Compressor Complete Gasket Kit

This kit services Midland Compressors: EL13053X, EL16053X

Includes

Item No.	Description	Qty.	Part No.
A	Mounting Gasket Kit	1	GK13050
1	Cylinder Block Gasket	1	—
2	End Cover Gasket	1	—
3	Base Plate Gasket	1	—





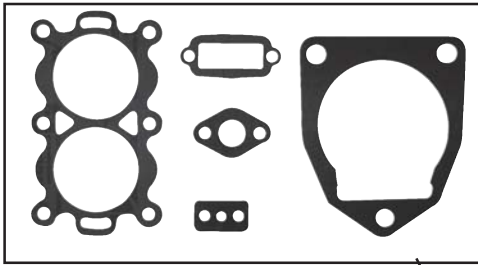
GK13080

Midland Compressor Mounting Gasket Kit

This kit services Midland Compressors: EL13080X, EL13120X, EL13170X, EL13200X, EL16080X, EL16120X, EL16200X

Includes

Item No.	Description	Qty.	Part No.
1	Mounting Gasket	1	—
2	Inlet Port Gasket	1	—
3	Discharge Port Gasket	1	—
4	Governor Gasket	1	—
5	Cylinder Head Gasket	1	—



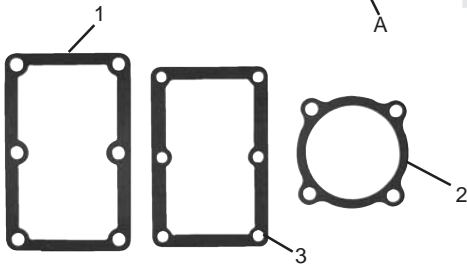
GK13080C

Midland Compressor Complete Gasket Kit

This kit services Midland Compressors: EL13080X, EL13120X, EL13170X, EL13200X, EL16080X, EL16120X, EL16200X

Includes

Item No.	Description	Qty.	Part No.
A	Mounting Gasket Kit	1	GK13080
1	Cylinder Block Gasket	1	—
2	End Cover Gasket	1	—
3	Base Plate Gasket	1	—



GK13111

Midland Compressor Mounting Gasket Kit

This kit services Midland Compressors: EL13111X, EL16111X

Includes

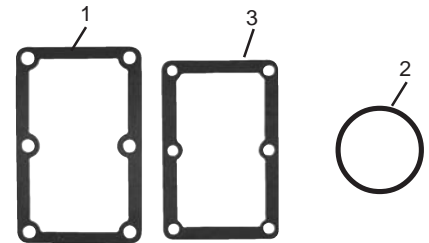
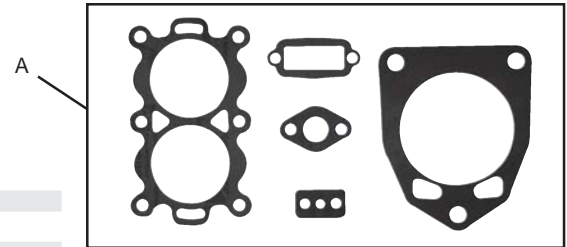
Item No.	Description	Qty.	Part No.
1	Mounting Gasket (Flange)	1	—
2	Inlet Port Gasket	1	—
3	Discharge Port Gasket	1	—
4	Governor Gasket	1	—
5	Cylinder Head Gasket	1	—

GK13111C

Midland Compressor Complete Gasket Kit

This kit services Midland Compressors: EL13111X, EL16111X
Includes

Item No.	Description	Qty.	Part No.
A	Mounting Gasket Kit	1	GK13111
1	Cylinder Block Gasket	1	—
2	End Cover O-Ring	1	—
3	Base Plate Gasket	1	—

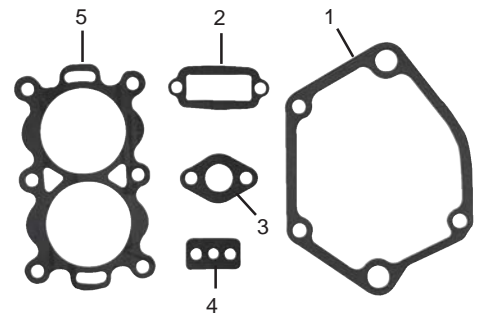


GK13151

Midland Compressor Mounting Gasket Kit

This kit services Midland Compressors: EL13151X
Includes

Item No.	Description	Qty.	Part No.
1	Mounting Gasket (Flange)	1	—
2	Inlet Port Gasket	1	—
3	Discharge Port Gasket	1	—
4	Governor Gasket	1	—
5	Cylinder Head Gasket	1	—

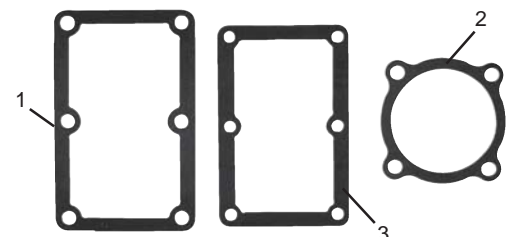
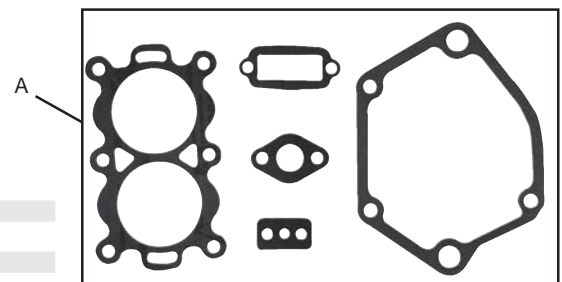


GK13151C

Midland Compressor Complete Gasket Kit

This kit services Midland Compressors: EL13151X
Includes

Item No.	Description	Qty.	Part No.
A	Mounting Gasket Kit	1	GK13151
1	Cylinder Block Gasket	1	—
2	End Cover Gasket	1	—
3	Base Plate Gasket	1	—

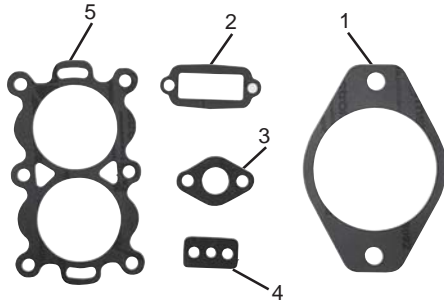


GK13220

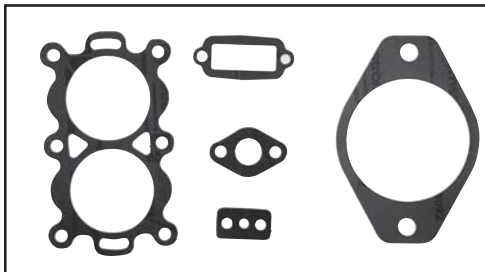
Midland Compressor Mounting Gasket Kit

This kit services Midland Compressors: EL13220X

Includes



Item No.	Description	Qty.	Part No.
1	Mounting Gasket (Flange)	1	—
2	Inlet Port Gasket	1	—
3	Discharge Port Gasket	1	—
4	Governor Gasket	1	—
5	Cylinder Head Gasket	1	—



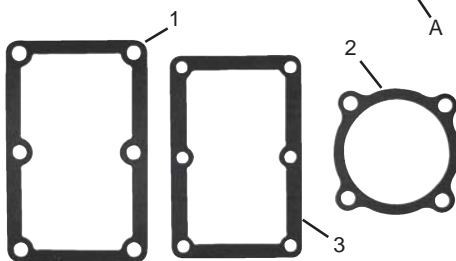
GK13220C

Midland Compressor Complete Gasket Kit

This kit services Midland Compressors: EL13220X

Includes

Item No.	Description	Qty.	Part No.
A	Mounting Gasket Kit	1	GK13220
1	Cylinder Block Gasket	1	—
2	End Cover Gasket	1	—
3	Base Plate Gasket	1	—

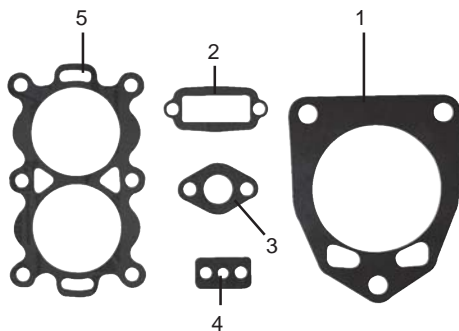


GK14111

Midland Compressor Mounting Gasket Kit

This kit services Midland Compressors: EL14111X

Includes



Item No.	Description	Qty.	Part No.
1	Mounting Gasket (Flange)	1	—
2	Inlet Port Gasket	1	—
3	Discharge Port Gasket	1	—
4	Governor Gasket	1	—
5	Cylinder Head Gasket	1	—

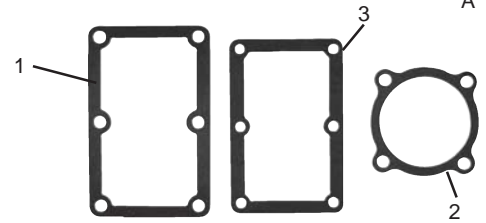
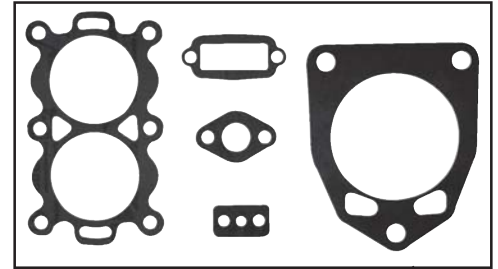
GK14111C

Midland Compressor Complete Gasket Kit

This kit services Midland Compressors: EL14111X

Includes

Item No.	Description	Qty.	Part No.
A	Mounting Gasket Kit	1	GK14111
1	Cylinder Block Gasket	1	—
2	End Cover Gasket	1	—
3	Base Plate Gasket	1	—



GK8543 (Not Shown)

Cummins Compressor Mounting Gasket Kit

This kit services Cummins Compressors: 3018543X

Includes

Item No.	Description	Qty.	Part No.
A	Unloader Kit	1	UK8543
1	Mounting Gasket (Flange)	1	—
2	Mounting Gasket (Rear)	1	—
3	Inlet Port Gasket	1	—

GK8680 (Not Shown)

Cummins Compressor Mounting Gasket Kit

This kit services Cummins Compressors: 3048680X

Includes

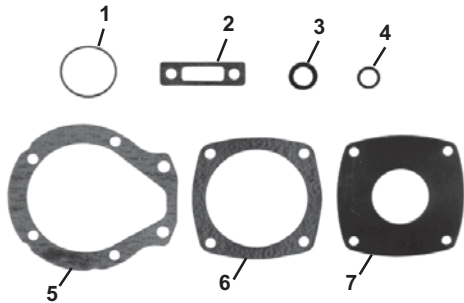
Item No.	Description	Qty.	Part No.
1	Mounting Gasket (Flange)	1	—
2	Mounting Gasket (Rear)	1	—
3	Inlet Port Gasket	1	—

AR73308

Cummins Compressor Complete Gasket Kit

This kit services Cummins Compressors: 3018543X

Includes



Item No.	Description	Qty.	Part No.
1	O-Ring	1	—
2	Inlet Port Gasket	1	—
3	Seal	1	—
4	O-Ring	1	—
5	Support Gasket	1	—
6	Head Block Gasket	1	—
7	Head Cover Gasket	1	—

GK8711 (Not Shown)

Clayton Dewandre Compressor Mounting Gasket Kit

This kit services Clayton Dewandre Compressors: 2P8711X

Includes

Item No.	Description	Qty.	Part No.
1	Mounting Gasket (Flange)	1	—

P740/000, P740/010, P740/020, P740/030

Midland Compressor Piston Kit

This kit services Midland Compressors: All EL740 Series Compressors

Includes



Item No.	Description	Qty.	Part No.
1	Piston	2	—
2	Pin	2	—
3	Retainer	4	—

Specifications

Part No.	Size
P740/000	Standard
P740/010	.010" Oversize
P740/020	.020" Oversize
P740/030	.030" Oversize

P850/000, P850/010, P850/020, P850/030

Midland Compressor Piston Kit

This kit services Midland Compressors: All EL850 Series Compressors Includes

Item No.	Description	Qty.	Part No.
1	Piston	1	—
2	Pin	1	—
3	Retainer	2	—

Specifications

Part No.	Size
P850/000	Standard
P850/010	.010" Oversize
P850/020	.020" Oversize
P850/030	.030" Oversize



P1300/000, P1300/010, P1300/020, P1300/030

Midland Compressor Piston Kit

This kit services Midland Compressors: All EL1300 and EL1600 Series Compressors Includes

Item No.	Description	Qty.	Part No.
1	Piston	2	—
2	Pin	2	—
3	Retainer	4	—

Specifications

Part No.	Size
P1300/000	Standard
P1300/010	.010" Oversize
P1300/020	.020" Oversize
P1300/030	.030" Oversize



AR3045670, AR3045671, AR3045672, AR3045673

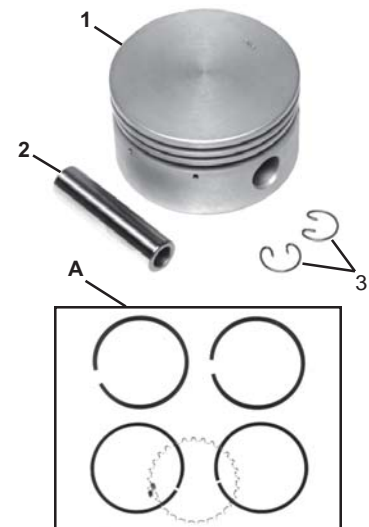
Cummins Compressor Piston Kit

This kit services Cummins Compressors: Includes

Item No.	Description	Qty.	Part No.
A	Piston Ring Kit	1	See Specifications
1	Piston	1	—
2	Pin	1	—
3	Retainer	2	—

Specifications

Part No.	Size	Ring Kit No.
AR3045670	Standard	AR73350
AR3045671	.010" Oversize	AR73351
AR3045672	.020" Oversize	AR73352
AR3045673	.030" Oversize	AR73353



Compression Rings



Oil Rings

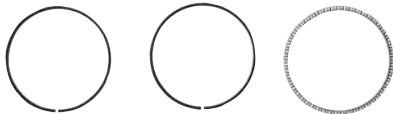
RK740/000, RK740/010, RK740/020, RK740/030

Midland Compressor Piston Ring Kit

This kit services Midland Compressors: All EL740 Series Compressors
Specifications

Part No.	Size
RK740/000	Standard
RK740/010	.010" Oversize
RK740/020	.020" Oversize
RK740/030	.030" Oversize

Compression Rings



Oil Rings

RK850/000, RK850/010, RK850/020, RK850/030

Midland Compressor Piston Ring Kit

This kit services Midland Compressors: All EL850 Series Compressors
Specifications

Part No.	Size
RK850/000	Standard
RK850/010	.010" Oversize
RK850/020	.020" Oversize
RK850/030	.030" Oversize

Compression Rings



Oil Rings

RK1316/000, RK1316/010, RK1316/020, RK1316/030

Midland Compressor Piston Ring Kit

This kit services Midland Compressors: All EL1300 and EL1600 Series Compressors
Specifications

Part No.	Size
RK1316/000	Standard
RK1316/010	.010" Oversize
RK1316/020	.020" Oversize
RK1316/030	.030" Oversize

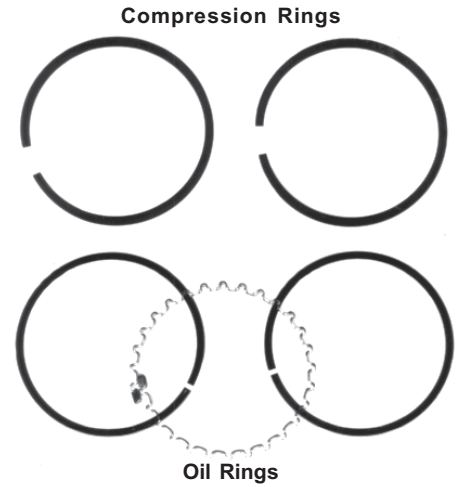
AR73350, AR73351, AR73352, AR73353

Cummins Compressor Piston Ring Kit

This kit services Cummins Compressors:

Specifications

Part No.	Size
AR73350	Standard
AR73351	.010" Oversize
AR73352	.020" Oversize
AR73353	.030" Oversize



RB740/000, RB740/010, RB740/020, RB740/030

Midland Compressor Rod Bearing Set

This kit services Midland Compressors: All EL740 Series Compressors

Specifications

Part No.	Size
RB740/000	Standard
RB740/010	.010" Undersize
RB740/020	.020" Undersize
RB740/030	.030" Undersize



RB850/000, RB850/010, RB850/020, RB850/030

Midland Compressor Rod Bearing Set

This kit services Midland Compressors: All EL850 Series Compressors

Specifications

Part No.	Size
RB850/000	Standard
RB850/010	.010" Undersize
RB850/020	.020" Undersize
RB850/030	.030" Undersize



RB1300/000, RB1300/010, RB1300/020, RB1300/030

Midland Compressor Rod Bearing Set

This kit services Midland Compressors: All EL1300 and EL1600 Series Compressors

Specifications



Part No.	Size
RB1300/000	Standard
RB1300/010	.010" Undersize
RB1300/020	.020" Undersize
RB1300/030	.030" Undersize

AR200398, AR3000174

Cummins Compressor Drive Gear

AR3000174 Shown

Specifications

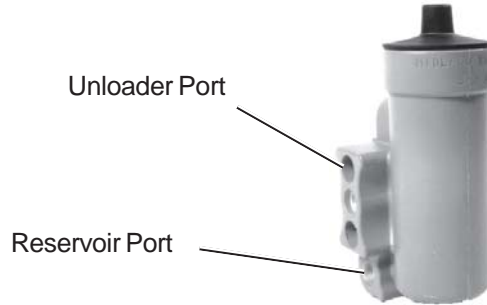


Gear No.	Comments
AR200398	Keyed
AR3000174	Press Fit

KN18530X

Midland Governor

KN18530X Shown



Specifications

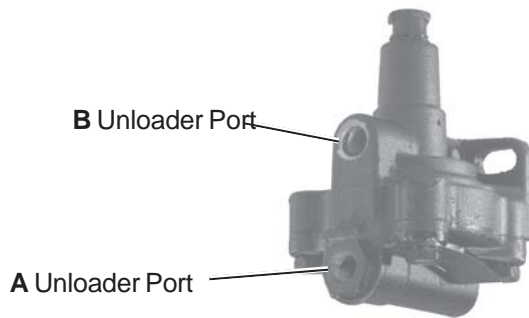
Part No.	Reservoir Port	Unloader Port	Exhaust Port	Cut-In Pressure	Cut-Out Pressure Range	Comments
KN18530X	1/8" PT	1/8" PT	1/8" PT	105-110 psi	15-30 psi above Cut-In	
*OR18530	1/8" PT	1/8" PT	1/8" PT	95-100 psi	15-30 psi above Cut-In	

*OR18530 is an out-right part number and is not in the remanufactured exchange core program.

KN18511X

Midland Governor

KN18511X Shown



Specifications

Part No.	A Unloader Port (PT)	B Unloader Port (PT)	Cut-In Pressure (PSI)	Cut-Out Pressure (PSI)	Comments
KN18511X	1/16"	1/8"	100	120	